

Technical characteristics

Sinking equipment.

Mine winders with single solid cylindrical drums.

Mine winders with single solid cylindrical drum (Type 1 and MПБ series) are used for single- and multiplayer rope winding on single vessel hoists.

The winders of MПБ series are provided with brakes installed inside hoist drums. This allows to fully utilize the outer cylindrical drum surface intended for rope winding (this increasing coiling length of a drum with its size specified and decreasing its overall dimensions with the drum coiling length being preset).

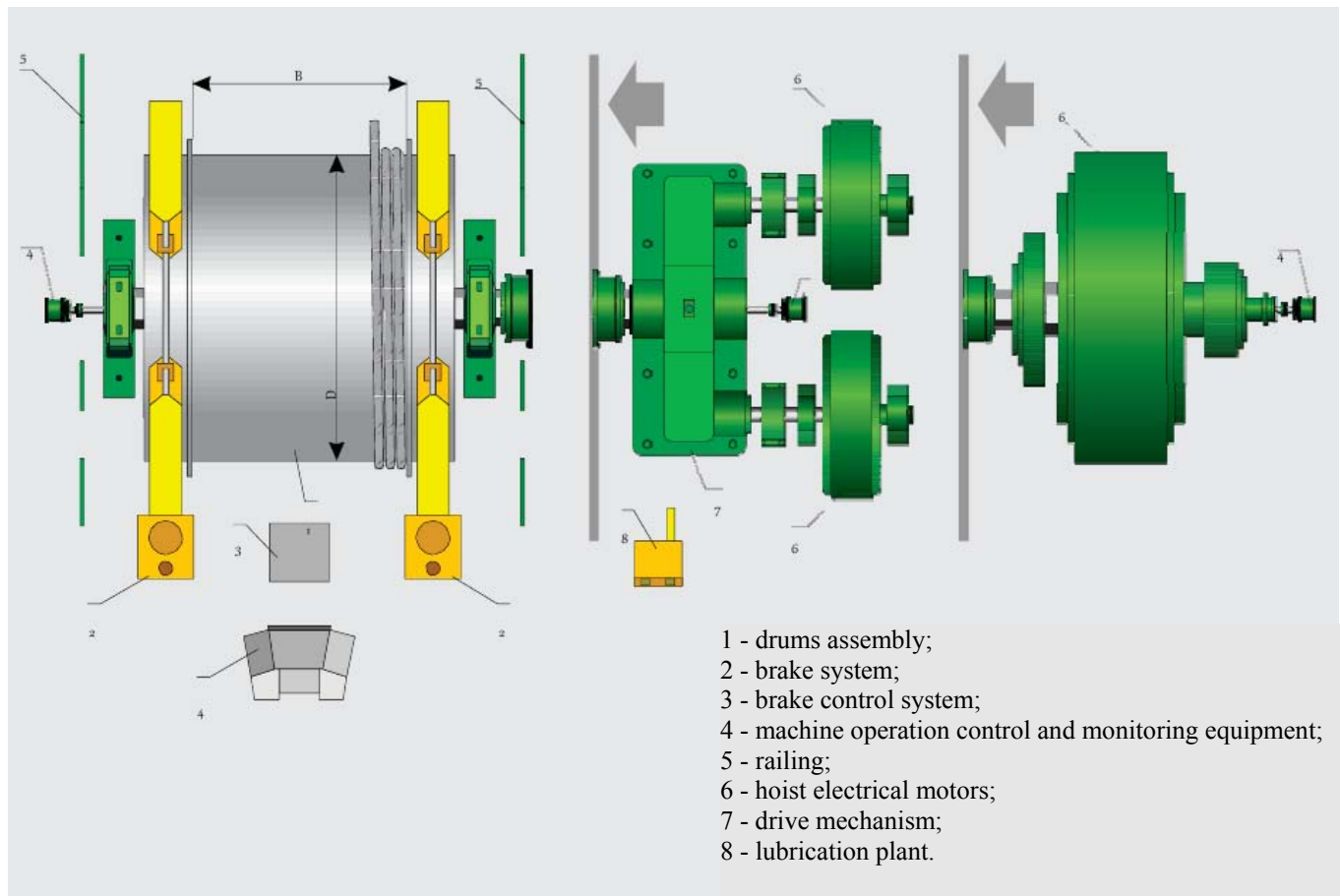
Machine drives may be arranged both on the right and on the left hand of the machine.

Mine winders of the type 1 may be furnished with the radial block brakes provided outside the drums or with disk brakes.

Mine winders of the MПБ series are provided with the radial-block brakes arranged inside the drums.

Machines may be used for servicing one-end hoists. Mainly, bucket-type hoists are applied during shaft and mine sinking. Multilayer rope winding on the drum is allowed.

With the rope winding in two layers, the drum is be furnished with a strip providing smooth rope feed onto the second layer and its adequate winding over that layer.



**Sinking equipment.
Mine winders with single solid cylindrical drums.**

MINE WINDERS WITH SINGLE DRUM AND REDUCTION DRIVES

Technical characteristics

Type of mine winder	D, mm	B, mm	n of rope layers	P st, kN no more than	P, kN no more than	V, m/s no more than	Weight, t
1-4x2,5	4000	2500	1	160	160	12	116
1-5x2,4	5000	2400	1	250	250	14	164
1-5x2,4Д	5000	2400	2	250	250	14	179
МПБ 5-2	5000	2000	1	180	180	14	144
МПБ 5-2Д	5000	2000	2	180	180	14	147
МПБ 5-2,5	5000	2500	1	250	250	14	149
МПБ 5-2,5Д	5000	2500	2	250	250	14	152
МПБ 5-3,15	5000	3150	1	250	250	14	154
МПБ 5-3,15Д	5000	3150	2	250	250	14	158
1-6x2,4	6000	2400	1	270	270	16	174
1-6x2,4Д	6000	2400	2	270	270	16	185
1-6x2,8	6000	2800	1	300	300	16	194
1-6x2,8Д	6000	2800	2	300	300	16	214
1-6x3,4	6000	3400	1	320	320	16	226
1-6x3,4Д	6000	3400	2	320	320	16	234
1-6,3x3,78	6300	3780	1	570	320	16	203

MINE WINDERS WITH SINGLE DRUM AND GEARLESS DRIVES

Technical characteristics

Type of mine winder	D, mm	B, mm	n of rope layers	P st, kN no more than	P, kN no more than	V, m/s no more than	Weight, t
1-4x2,5Д	4000	2500	2	160	160	12	75
1-5x2,4Д	5000	2400	2	250	250	14	111
1-6x2,4	6000	2400	1	270	270	16	106
1-6x2,4Д	6000	2400	2	270	270	16	117
1-6x2,8	6000	2800	1	300	300	16	126
1-6x2,8Д	6000	2800	2	300	300	16	146
1-6x3,4	6000	3400	1	320	320	16	158
1-6x3,4Д	6000	3400	2	320	320	16	166
1-6,3x3,78	6300	3780	1	570	320	16	135

Comments:

Machine weight is tentative. Weight will be rectified when making the contracts for manufacturing and supply of the machines.

We are ready to consider manufacturing of machines of any other sizes (at customers' options).